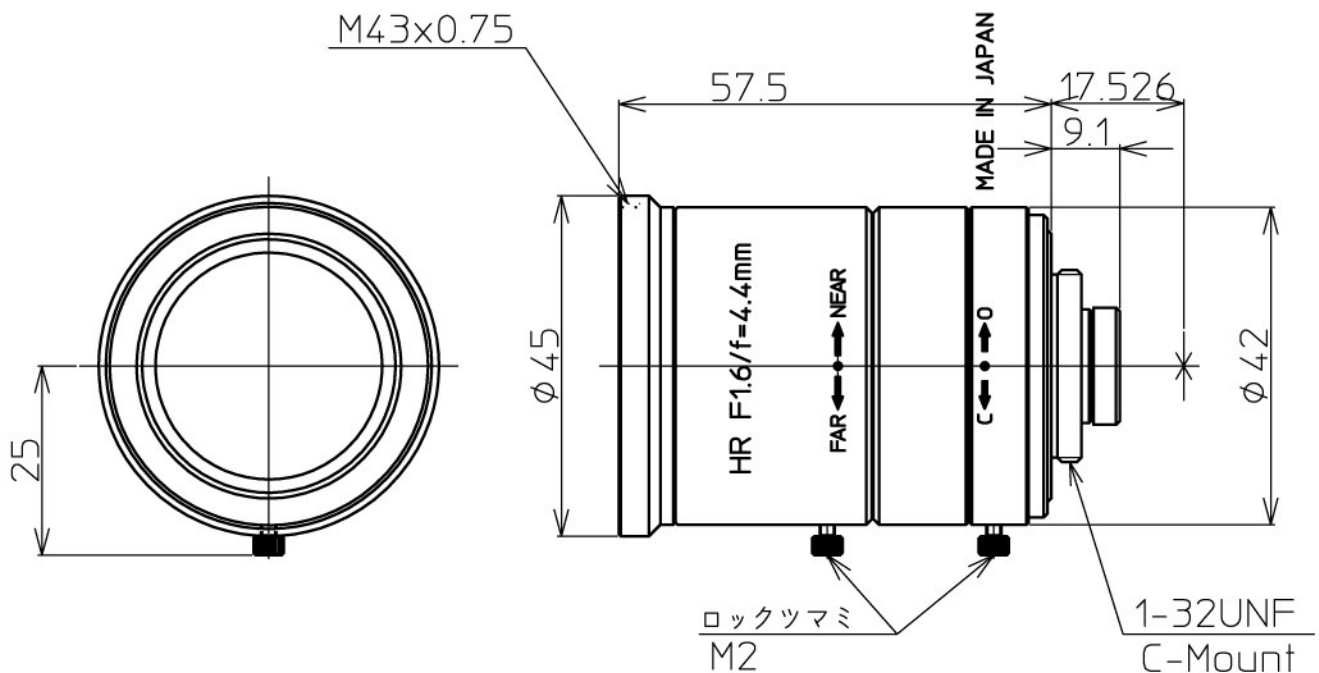


SPECIFICATION		LM3NCM
1. USE		FOR 1/1.8"
2. FOCAL LENGTH		3.5mm
3. MAX. DIA. RATIO		F2.4
4. IRIS RANGE		F2.4~14
5. IMAGE SIZE		φ8
6. MECHANICAL BACK FOCAL LENGTH		9.026mm
7. FLANGE FOCAL LENGTH		17.526mm
8. FOCUS RANGE		100mm ~ ∞
9. FIELD ANGLE	1/1.8"	89° x 73.8°
	1/2"	82.4° x 66.9°
	1/3"	66.9° x 52.7°
11. CLEAR APERTURE FRONT		φ28.5
12. CLEAR APERTURE REART		φ10
13. EXIT PUPIL POSITION		67.7mm
14. MOUNT		C-MOUNT
15. FILTER SCREW SIZE		M40.5×0.5
16. DISTORTION (TV)		0.46%(1/2") -0.15%(1/3")
17. WEIGHT		85g

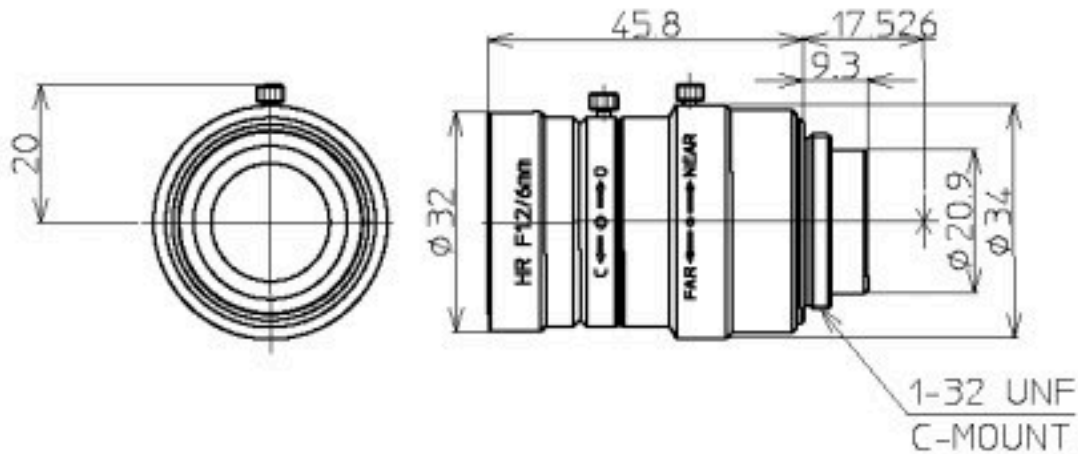


SPECIFICATION

1. USE	1/1.8" to 1/3" MEGA CAMERA							
2. FOCAL LENGTH	4.4mm							
3. MAX. DIA. RATIO	F1.6							
4. IRIS RANGE	F1.6-F16							
5. IMAGE SIZE	φ9 5.4x7.2mm							
6. BACK FOCAL LENGTH	8.75 in air							
7. FLANGE FOCAL LENGTH	17.526mm in air							
8. FOCUS RANGE	0.1 m							
9.FIELD ANGLE	VER.	1/18"	61.2°	1/2"	55.5°	1/3"	43.0°	
	HOR.		76.6°		70.1°		55.5°	
	DIA.		89.4°		82.5°		66.7°	
10.LENS CONSTRUCTION	7 GROUPS 9 ELEMENTS							
11.CLEAR APERTURE	FRONT	φ30.0						
	REAR	φ8.0						
12.EXIT PUPIL POSITION	-61.4mm							
13.MOUNT	C-MOUNT							
14.FILTER SCREW SIZE	M43x0.75							
15.TV DISTORTION	1/18"	-0.2%	1/2"	-0.1%	1/3"	-0.13%		
16.WEIGHT	150 g							



尺 度	1/1	承 認	八木	製 図	富永
1/1.8" F1.6 f=4.4mm					
LM4NCM					



1/2" 1.2/6mm C		1/3"	
FOCAL LENGTH		f=6mm	
MAX. DIAMETER (RATIO)		F=1:1.2~16	
PICTURE SIZE		4.8x6.4mm	3.6x4.8
ANGLE	VER. ANGLE	43.5°	33.2°
	HOR. ANGLE	56.2°	43.5°
	DIA. ANGLE	67.0°	53.2°
DISTORTION (TV)	-0.2%	-0.2%	
WORKING DISTANCE	500mm	-0.012x	
	400mm	-0.015x	
	300mm	-0.020x	
	200mm	-0.039x	
MAGNIFICATION	200mm	-0.039x	
	100mm	-0.054x	
MINIMUM FOCUS DISTANCE		0.1m	
FLANGE BACK		17.526 mm in air	
BACK FOCUS		8.2mm in air	
FILTER SCREW SIZE		M30.5x0.5	
FRONT/REAR EFFECTIVE DIA.		φ21.1mm	φ15.4mm
MOUNT		C-MOUNT	
EXIT PUPIL		-112mm	
TEMPERATURE RANGE		-10~+45° C	
STORING TEMPERATURE RANGE		-40~+60° C	
RESOLUTION CENTER/CORNER		100 lpm / 80 lpm	

		MEGA	1/2" F1.2/6mm
			LM6NCM