

**NEW** HF-XA-1F Series

2/3" ~ 1/1.2"  
 3.45µm (5MP)  
 focal lengths 8mm ~ 35mm

**Anti Shock & Vibration**



- Based on the optical design of HF-XA-5M Series: same optical specification
- Advanced mechanical design with fix iris and robust focussing system
- Ideally suited for 3D Cameras

Specification	HF8XA-1F	HF12XA-1F	HF16XA-1F	HF25XA-1F	HF35XA-1F
Focal Length (mm)	8	12	16	25	35
Applicable Sensor Size	2/3"	1/1.2"	1/1.2"	1/1.2"	1/1.2"
Applicable Pixel Size	3.45 µm				
Iris Range	F1.6, F4.0, F8.0			F1.6, F4.6, F9.2	F1.9, F5.2, F10.4
Operation Iris	Fix iris, 3 plates switchable				
Operation Focus	focussing by screw mount, fixation with nut				
MOD (mm)	100	100	100	150	300
Angle of view (HxV) (2/3")	58.4° x 44.6°	40.1° x 30.3°	31.4° x 23.7°	19.9° x 15.0°	14.2° x 10.7°
Weight (g)	97	99	94	87	75
Dimensions (mm)	Ø34x60.2	Ø34x58.7	Ø34x54.0	Ø34x55.4	Ø34x50.3
Filter Thread	M25.5x0.5	M25.5x0.5	M25.5x0.5	M25.5x0.5	M25.5x0.5
TV Distortion	-1.99%	-1.26%	-0.6%	-0.07%	+0.1%
Mount	C				

FUJIFILM Optical Devices Europe GmbH

Fujistr. 1, 47533 Kleve  
 Phone +49 2821 7115 400  
[www.fujifilm.com](http://www.fujifilm.com), [cctv\\_eu@fujifilm.com](mailto:cctv_eu@fujifilm.com)

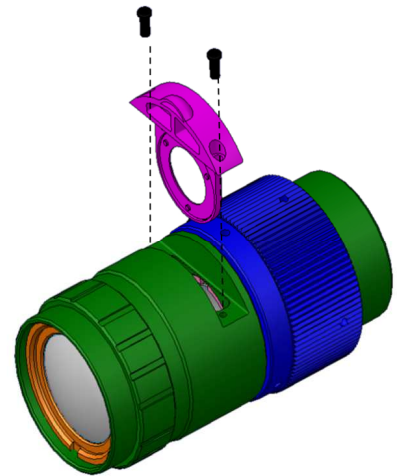
# FUJINON

HF-XA-1F Iris System:

3 different iris plates for fix iris easily switchable



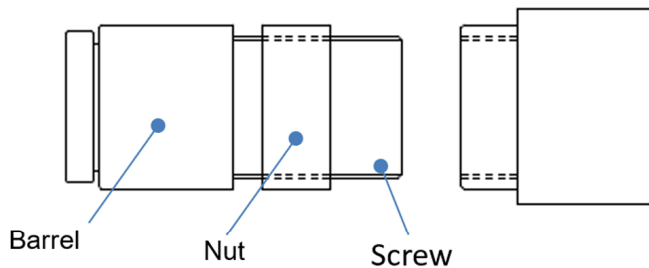
3 plates are provided with each lens



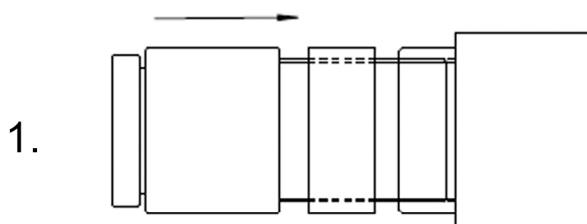
HF-XA-1F Focus System:

Lens

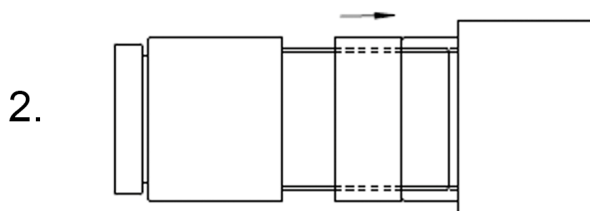
Camera



Mounting and focussing at the same time



Focus:  
Screw lens barrel until focus is set



Lock focus:  
Move nut for fixation