

Contact Web Cleaner

CWC-S, CWC-D



Improved Quality

With KELVA's Contact Web Cleaner, CWC

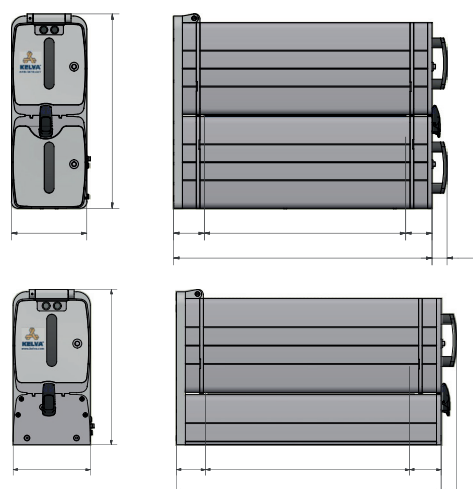
- Reduces contamination up to 98 %
- Polymer roller makes very good contact with the web - even at low pressure
- Available for single or double sided cleaning
- Low-silicone polymer roller

KELVA Contact Web Cleaner is suitable for web speeds up to 350 m/min, from 250mm to 650mm. It has crocodile opening to allow easy web threading and continuous cleaning while changing adhesive rolls. The static discharger prevents the web from reattracting dust after cleaning.

PRODUCT DESCRIPTION

Product name	KELVA Contact Web Cleaner (CWC)
Application	Label and narrow web cleaning from 250mm to 650mm
Opening	Manual, with gas springs to facilitate opening
Standard	Pull-out function for side access to the adhesive rollers Crocodile opening Continuous cleaning during change of adhesive roll
Operation	Integrated push buttons
Antistatic equipment	Integrated active antistatic equipment
Options	Double or single sided with counter roller Separate control box

DIMENSIONS



Model	Web width	Total width
CWC-250	250 mm	390 mm
CWC-300	300 mm	440 mm
CWC-350	350 mm	490 mm
CWC-400	400 mm	540 mm
CWC-450	450 mm	590 mm
CWC-500	500 mm	640 mm
CWC-550	550 mm	690 mm
CWC-600	600 mm	740 mm
CWC-650	650 mm	790 mm



SALES OFFICE AB KELVA

Box 4012
SE-22721 Lund
Sweden
Phone: +46 46 16 07 00
kelva@kelva.com

BENELUX OFFICE

Pamouslaan 155
NL - 1382 JN Weesp
The Netherlands
Phone: +31 627 07 71 77
kelva@kelva.com

GERMAN OFFICE

Winkelhaiderstrasse 42A
D-90537 Feucht
Germany
Phone: +49 9128 724 11 19
kelva@kelva.com

SWISS OFFICE IMSGAG AG

Niederhaslistrasse 12
CH - 8157 Dielsdorf
Switzerland
Phone: +41 44 732 22 73
info@imsag.com