

CORONA & PLASMA

FOR EXTRUSION



Corona & Plasma for **EXTRUSION**

Adding a Corona treater on a blown film or cast film extrusion line is essential in order to obtain a perfect surface tension prior to the following converting process. Without pretreatment the extruded substrates will not allow further converting processes due to low surface tension.

As a film manufacturer you require reliable Corona treatment equipments that can easily be maintained, be segment set-up and run production nonstop. These are key-points for a Corona treater on an extrusion line. The Vetaphone Corona treaters are designed for our customers with the customer's challenges in mind. We focus on equipment that will make your production run smoothly with uniform dyne level and no unplanned stops.

The Vetaphone Corona treaters for extrusion lines will provide higher dyne levels on your materials due to the combination of ultra-efficient generators and superior treatment station design. The advanced electrode design eliminates fluctuations in dyne levels across the web width and furthermore guarantees no undesirable backside treatment.

The Vetaphone treater stations are all made with the unique Quick Change system that allows the operators to perform segment set-up and maintenance within minutes – thereby providing maximum production time for your extrusion line.



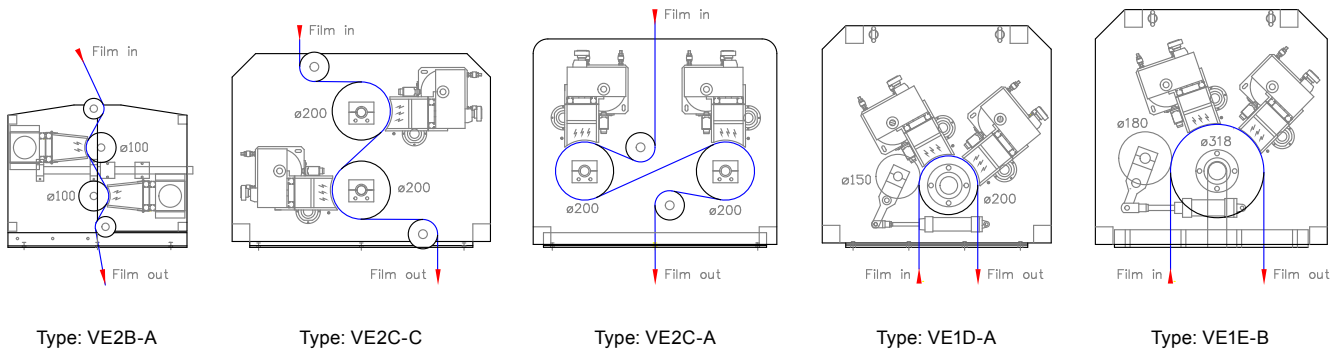
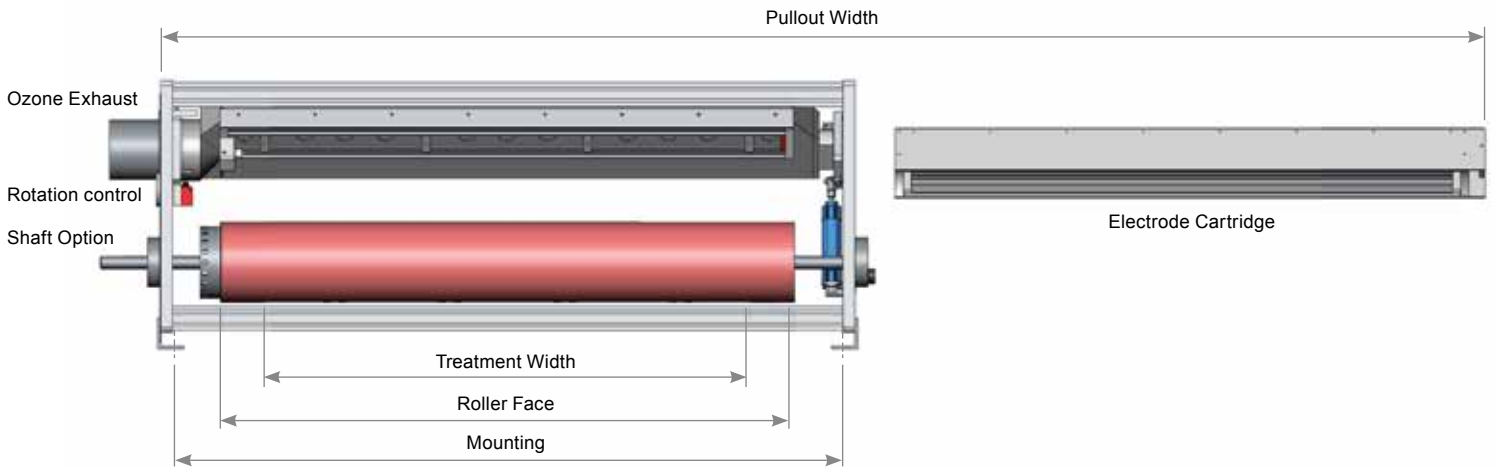
Corona

Corona treatment = perfect adhesion

NonCorona

No Corona treatment = low adhesion

Specifications



Specifications

| | |
|---------------------|--|
| Widths | 1.000-10.000 mm / 40-400 inches |
| Speeds | 1-800 m/min / 1-2.600 f/min |
| Sides for treatment | 1, 2 or 4 |
| Electrodes | Aluminium or Stainless Steel |
| Roller covering | Silicone, Vulcanized Rubber or Ceramic |
| Roller diameter | ø100-500 mm / ø4-20 inches |
| Types of extrusion | Blown, Cast and Stretch |

Standard Treatment Width

| |
|----------------------|
| 1000 mm / 39 inches |
| 1300 mm / 51 inches |
| 1400 mm / 55 inches |
| 1800 mm / 71 inches |
| 2200 mm / 87 inches |
| 2600 mm / 102 inches |
| 3000 mm / 118 inches |

Other sizes available upon request

Our Corona-Plus Stations for **EXTRUSION**



Type: VE2B-A



Type: VE2C-A



Type: VE1E-B

FEATURES



BENEFITS

Quick Change Cartridge

The operator friendly design makes maintenance an easy task by employing the standard patented Quick Change Cartridge (QC). This ensures easy maintenance and more production time.

Segmented Electrodes

The Vetaphone Corona-Plus treaters can optionally be equipped with segmented electrodes of 2.5, 5 or 10 mm. The segments are locked in both their working position and in their off position, making this the perfect choice for frequent width and pattern changing.

Easy Cleaning & Maintenance

All parts of the system are designed for easy and quick cleaning and maintenance, thereby providing more production time. The Quick Change Cartridge can be easily removed offline for easy access when cleaning the electrodes or setting up the segmented electrodes for partial treatment.

High Humidity Resistant

The Vetaphone Corona-Plus treaters are uniquely designed for usage in humid areas due to strict use of high quality insulators and optimum airflow extraction.

Film Inlet from Top of Station

The station design enables easy inlet of film from the top of the station with no need for additional external guide rollers. The pneumatic opening of the Corona electrodes easily creates space for quick thread up of the film.

Air Gap Adjustment

Calibrated electrode Air Gap Adjustment with digital read out ensures precise and uniform treatment of wide webs. Using the Air Gap Adjustment the distance between electrodes and film is easily aligned.

Easy Backing Roller Removal

In case of silicone sleeve breakage, The Vetaphone Corona-Plus treaters are made with very easy backing roller removal. This minimizes downtime when exchanging silicone sleeves.

Water Cooling and NIP Options

A NIP roller is intended for usage at speeds above 350m/min or at low web tension. The NIP roller will add pressure to the material passing through the treater station and thereby prevent pin holes or backside treatment. Another option for high speed lines is the possibility of backing roller cooling with either water or air.

Our iCorona **GENERATORS**

Our series of intelligent generators, iCorona, are designed to make you forget about Corona. Let our iCorona take care of the Corona treatment, so you can focus on your core business.



Complete Series

Our iCorona intelligent generator series offer outputs from 1-48 kW all based on one single generator cabinet.

FEATURES

BENEFITS



Touch Control Panel

Our user friendly 10" LCD Touch control panel for the iCorona 3 and iCorona 4 provides a graphical overview of the entire Corona system. The intuitive display offers a large variety of automatic intelligent controls such as Substrate Matching, Production Log, Proportional Control, Maintenance Schedules and Digital Documentation.



Production Log

Our iCorona generators are constantly monitoring production as regards material factor effect, speed and stops. All data are automatically stored in the iCorona display unit ready to be extracted to a USB pen for immediate analyses. Imagine that you can attach a report on the performance of the Corona system on every batch.



Substrate Matching

Due to the patented feedback system the electrical power on the electrodes is the highest possible, giving a total equipment efficiency of minimum 95 % even during changes of substrate and additives.



Proportional Control

The iCorona generators are all equipped with proportional control related to power and line speed to ensure a constant Watt Density. Optionally, the control panel can display either the actual generator power output in kW, or the energy delivered to the substrate in $Wmin/m^2$ or $Wmin/ft^2$.



Interface

The interfaces are used to integrate the Corona system into the complete process control making it easier for operators to control and understand the complete process line. Typically all important parameters of the Corona treatment and production data can be viewed graphically on the operator's main panel.



Module Built

The iCorona is manufactured for optimum efficiency. All important electronic components are built into one easy accessible module. So servicing your generator is simply done by plugging in only one new part, the module. Changing the complete module is quick and will make the generator work smoothly and for a longer time, as all vital parts are updated to the newest technology.

60 THE INVENTOR WITH MORE THAN
years
EXPERIENCE

Satisfied Customers **WORLD WIDE**

“ The Vetaphone Corona treaters virtually never break. They just go on, 24-7, year after year. And if something is ever wrong, our own electricians can usually fix it. We never replace them because they break or wear out – we only change them when they are outpaced by the development. ”

Explains Head of Extrusion Department at Schur Flexible Alex Holst, Denmark.

“ We were attracted by the innovative design of the Vetaphone Corona treaters. The Quick Change system was interesting in terms of bringing down time used on maintenance and segment setting. At the same time, Vetaphone's module built generators and world-wide service organization should help us to service our customers quick and easy at any time and place. Vetaphone were therefore an interesting partner and an easy choice when it came to choosing a high quality corona treater. The machines' production efficiency and quality of the finished products has exceeded our expectations and can be considered as superb! ”

Explains Vice President at Kung Hsing Plastic Machinery Co. Ltd Mr. Kun-Lin Tsai, Taiwan.

[Read other customer statements on our website.](#)

www.vetaphone.com

DENMARK - THAILAND - USA - UNITED KINGDOM - GERMANY - BENELUX - ITALY

