

edale<sup>®</sup>  
● ● ● ●

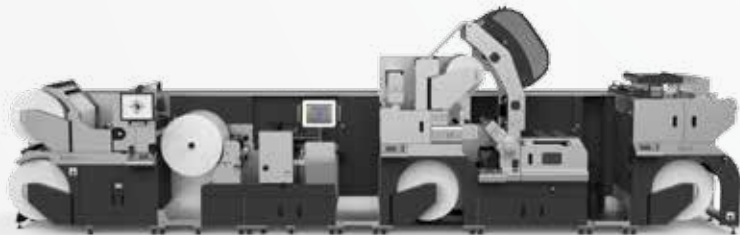


# THE FINISHING TOUCH

MID WEB FINISHING SOLUTION FOR DIGITALLY  
PRINTED FLEXIBLE PACKAGING AND LABELS.

762MM | 30" WIDTH • FLEXIBLE PACKAGING • LABELS • CONFIGURABLE • HP INDIGO 20000 COMPATIBLE

● ● ● digicon 3000



Manufactured in the UK

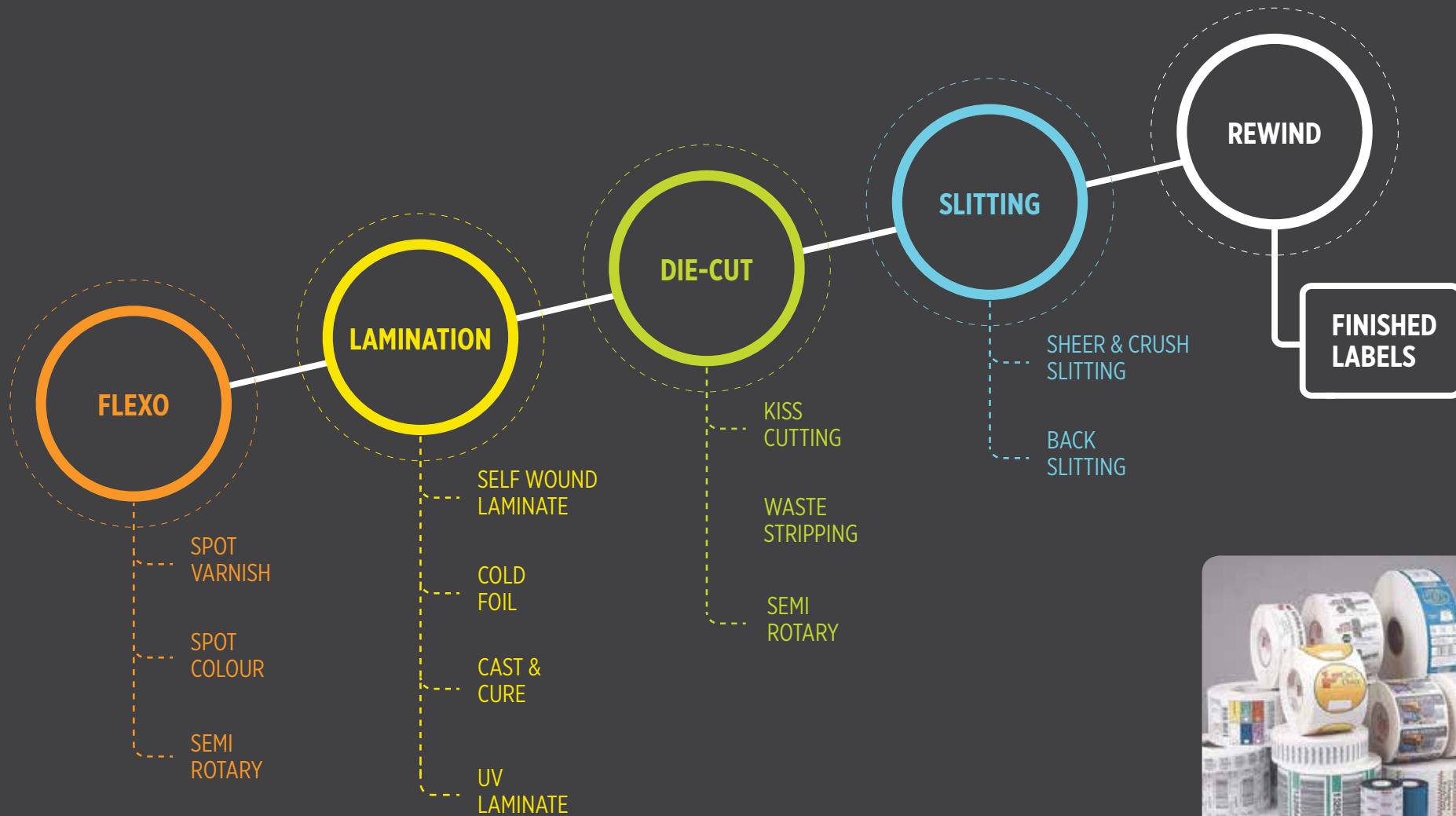




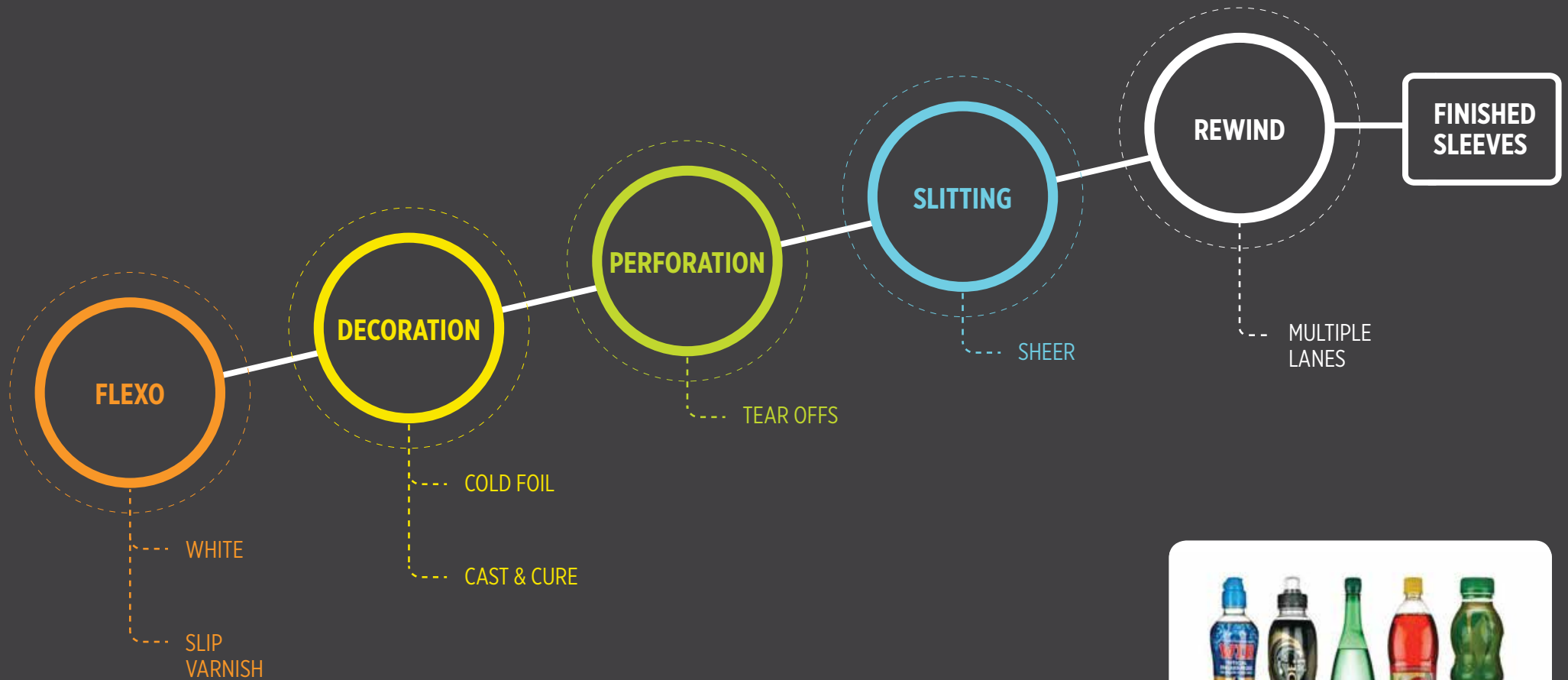
YETAPIONE  
Cinema 2 Power

digicon 3000

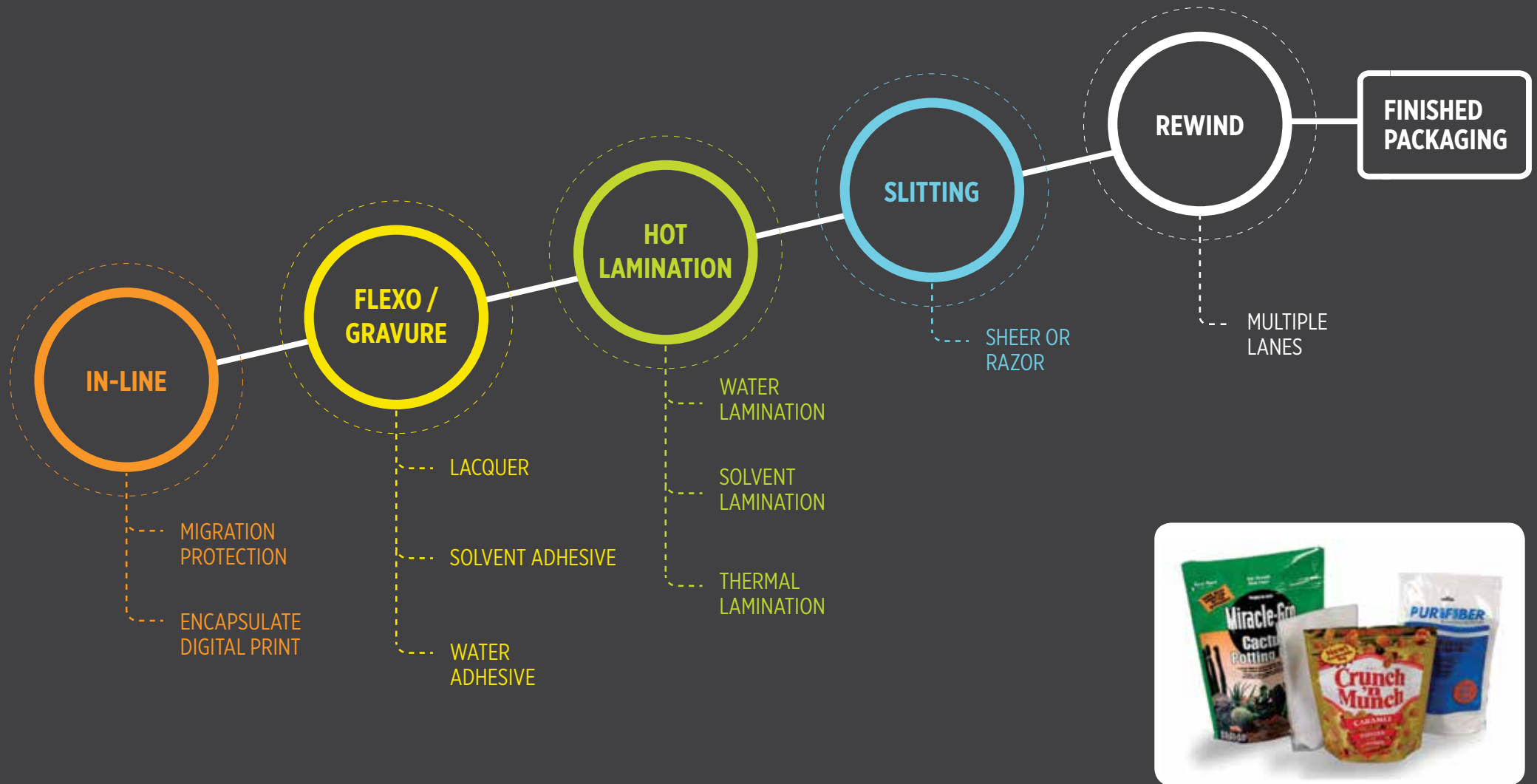
# THE DIGICON 3000 FINISHES LABELS....



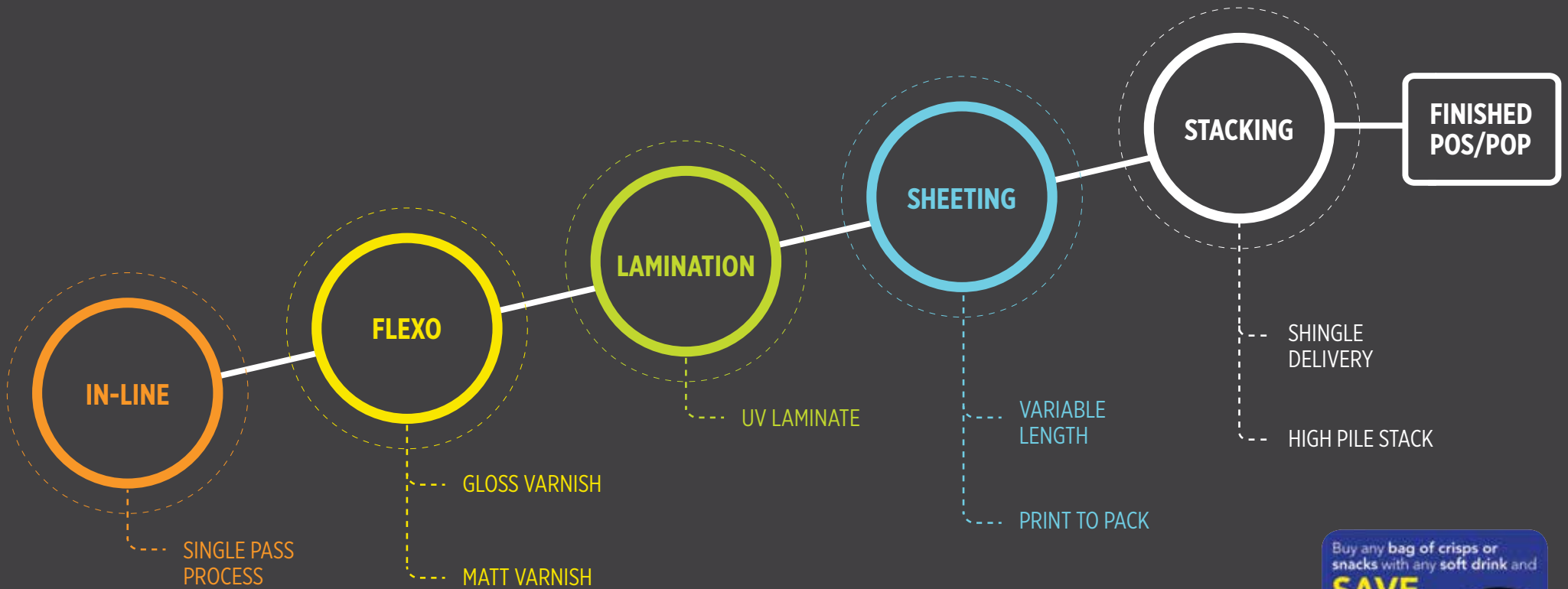
# THE DIGICON 3000 FINISHES SHRINK SLEEVES....



# THE DIGICON 3000 FINISHES PACKAGING ....



# THE DIGICON 3000 FINISHES POS/POP....



# DIGICON 3000 CONFIGURED FOR IN-LINE COATING AND LAMINATION OF FLEXIBLE PACKAGING.



OPTIONAL FAST SLITTER AUTOMATICALLY POSITIONS SHEER SLITTING BLADES BASED ON THE JOB DATA FILE

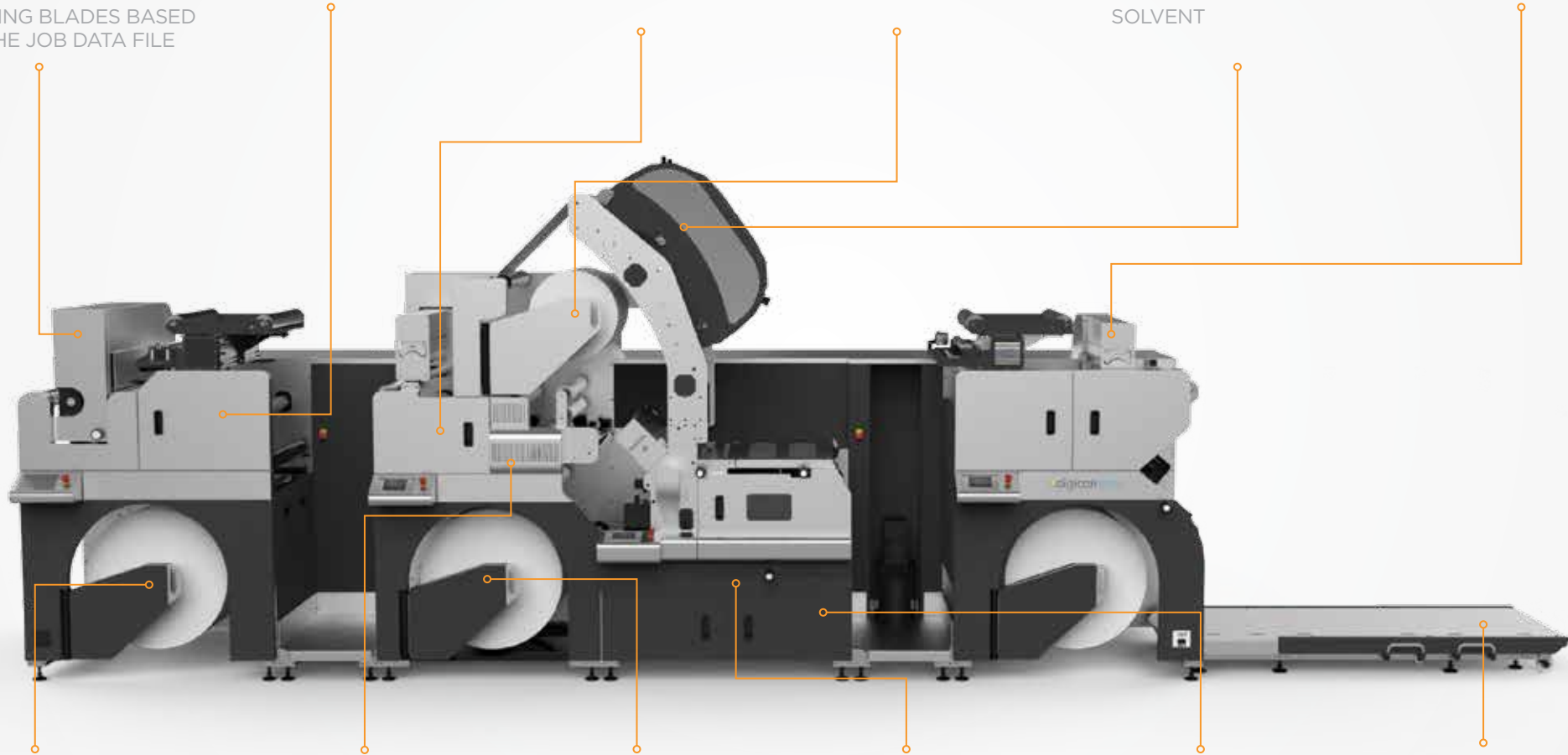
OPTIONAL REWIND SOFT TENSION CONTROL.

OPTION SOFT TENSION CONTROL FOR LAMINATE UNWIND

450MM DUAL DIRECTION LAMINATE UNWIND/REWIND

HOT AIR DRYER FOR INKS, COATINGS AND ADHESIVES. OPTIONAL SOLVENT

OPTIONAL CORONA TREATER



800MM FRONT LOADING REWIND WITH OPTIONAL ROLL FOLLOWER AND BOW ROLLER

DRY BOND OR THERMAL LAMINATION WITH DRIVEN OIL HEATED DRUM AND NIP ROLLERS

800MM DUAL DIRECTION LAMINATE UNWIND/REWIND

FLEXO PRINT WITH FULL ROTARY RE-REGISTRATION OR GRAVURE COATING

OPTIONAL ATEX COMPLIANCE TO ENABLE USE OF SOLVENT BASED INKS, COATINGS AND ADHESIVES

RETRACTABLE WALKWAY FOR IN-LINE/OFF-LINE CONFIGURATIONS

Manufactured in the UK



# DIGICON 3000 CONFIGURED FOR LABELS

ROLL FOLLOWERS WITH WEB ADVANCE AID IN-LINE FINISHING OF LABELS

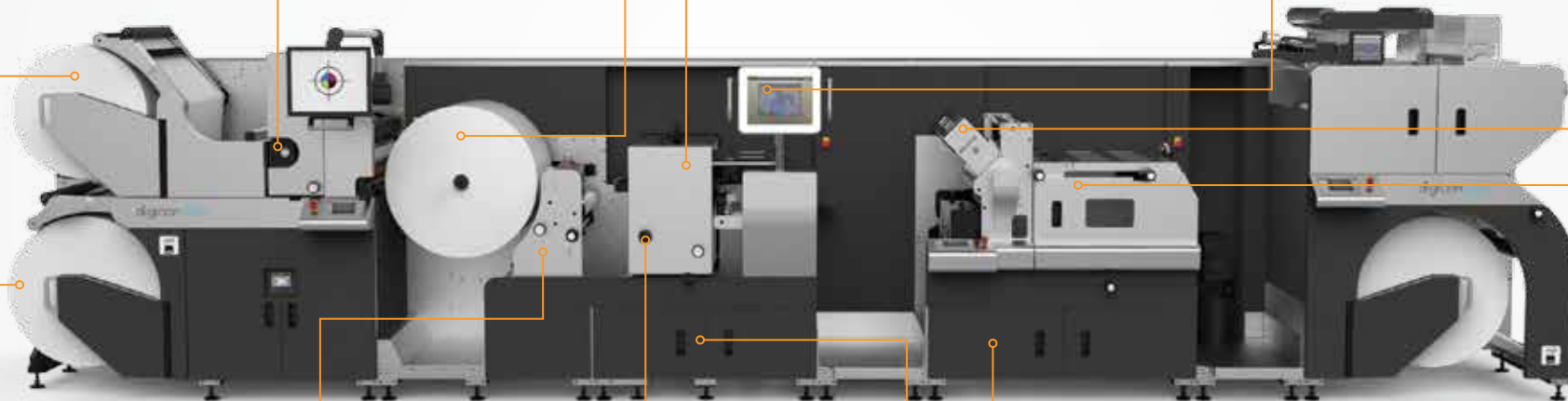
OPTIONAL FAST SLITTER AUTOMATICALLY POSITIONS SHEER SLITTING BLADES BASED ON THE JOB DATA FILE

BULK WASTE REWIND OPERATES IN EITHER CONVENTIONAL OR "BREAK FREE" MODES

AUTOMATIC DIE LOAD/ UNLOAD SYSTEM ACCURATELY MOUNTS FLEXIBLE DIES WITHOUT OPERATOR INTERVENTION

INTUITIVE MACHINE CONTROL INTERFACE WITH JOB DATA STORAGE

UV DRYING WITH CHILL DRUM FOR HEAT SENSITIVE SUBSTRATES



TWIN REWIND ENABLES IN-LINE FINISHING OF LABELS

OPTIONAL I-SCORE AUTO SET BACK SLITTING SYSTEMS POSITIONS BLADES BASED ON JOB DATA FILE

KOCHER & BECK GAP MASTER CONTROLS CUT PRESSURE AND EXTENDS TOOL LIFE

SEMI-ROTARY DIE CUT FOR LABELS WITH 10"-30" REPEAT RANGE. AUTOMATIC PRE-REGISTRATION TO PRINTED IMAGE AND RE-REGISTRATION EVERY REPEAT

OPTIONAL SEMI-ROTARY PRINT WITH 10"-30" REPEAT RANGE USING THE SAME PRINT SLEEVE, AUTO PRE-REGISTER AND RE-REGISTRATION EVERY REPEAT

FLEXOGRAPHIC PRINT WITH DIRECT DRIVE SLEEVED ANILOX, SLEEVED PRINT CYLINDER AND LIGHT WEIGHT CHAMBERED DOCTOR BLADE

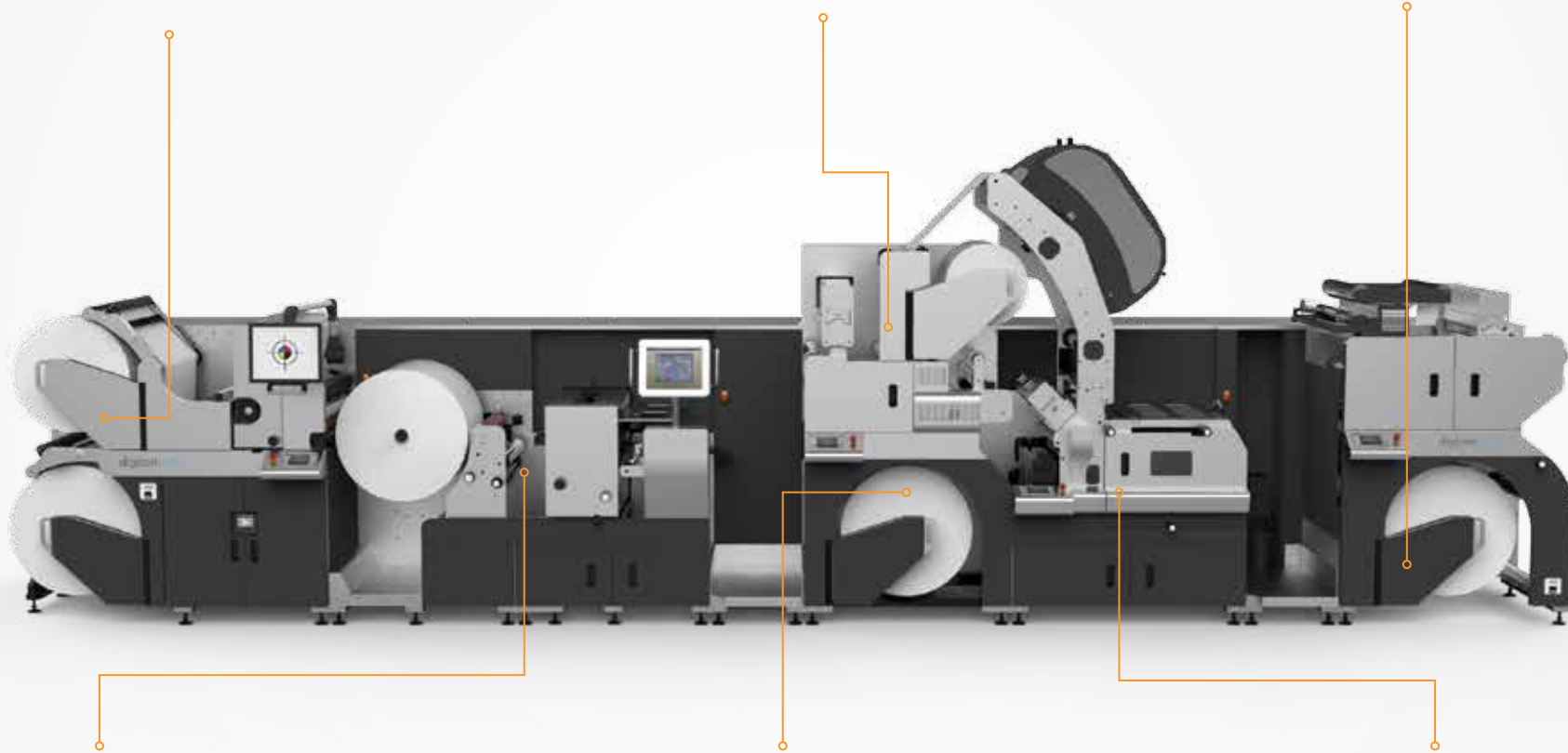


# DIGICON 3000 CONFIGURED FOR LABELS & FLEXIBLE PACKAGING

TWIN REWIND SYSTEM WITH WEB ADVANCE AND FAST SLITTER ENABLES IN-LINE FINISHING OF SELF-ADHESIVE LABELS

DRY BOND OR THERMAL LAMINATION OF FLEXIBLE PACKAGING

800MM FRONT LOADING UNWIND WITH OPTIONAL ROLL LIFT KEEP FOOT PRINT TO A MINIMUM



SEMI-ROTARY DIE CUTTING WITH AUTOMATIC DIE LOAD/UNLOAD, GAP MASTER AND BULK WASTE REWIND

ENBELISH LABELS WITH COLD FOIL OR CAST & CURE, UV AND SELF WOULD LAMINATES

FLEXOGRAPHIC PRINT STATION CAN BE CONFIGURED TO COMBINE FUNCTIONS REQUIRED FOR LABELS AS WELL AS FLEXIBLE PACKAGING. NB: SEMI-ROTARY FUNCTION IS DISABLED WHEN USING SOLVENT INKS

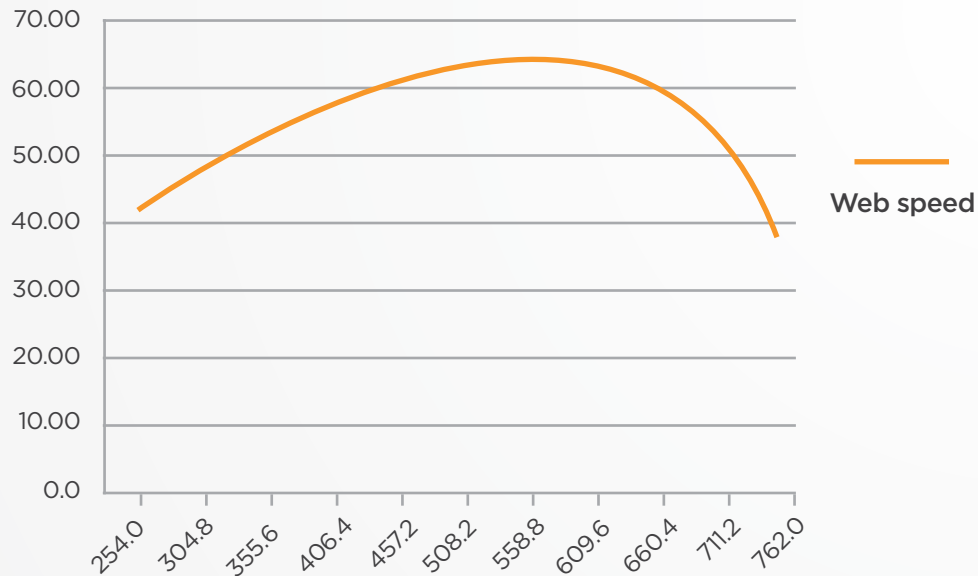
## PERFORMANCE & TECHNOLOGY

SUITABILITY FOR SHORT RUNS	Auto-set of print, die and slitting
LOW WASTE	Automation reduces waste
ACCURACY	Semi-rotary re-registers every repeat
IN-LINE	Print and finish in a single pass
FAST COLOUR CHANGE	Gearless sleeve technology
FAST DIE CHANGE	Auto-load and unload of flexible dies
WIDE SUBSTRATE RANGE	12 - 600 microns (4 -24pt)
VERSATILITY	12 - 600 microns (4 -24pt)
HP INDIGO 20000 READY	Designed in collaboration with HP Indigo

## TECHNICAL SPECIFICATIONS

INK TECHNOLOGY	UV, water or solvent-based
DIE CUTTING	Semi-rotary
MAX/MIN WEB WIDTHS	762 (30") & 400 (16")
MAX SPEED FULL ROTARY	100 m/min (330 ft/min)
MAX SPEED SEMI-ROTARY	65 m/min (215 m/min)
MAX UNIWIND / REWIND CAPACITY	800mm / 535KG (31"/ 1177lb)
MINIMUM PRINT AND CUT REPEAT	254mm (10")
MAXIMUM PRINT AND DIE CUT REPEAT	762mm (30")
MAXIMUM SUBSTRATE THICKNESS	600 microns (24pt)

### SEMI-ROTARY SPEED



### OPTIONS (other options are available on request)

- Application support & consultancy
- Auto back slit
- Autoset sheeting slitting
- Bow roller and roll follower
- Corona treatment
- Crush slitting
- Customised design and manufacture
- Gravure treatment
- In-line compatibility with HP indigo
- Screen print
- Self wound lamination
- Semi rotary flexographic print
- Semi rotary die cutting
- Sheeting and stacking
- Solvent based lamination
- Solvent Safe
- SR cold foil / cast and cure
- Turnbar
- UV lamination
- Water based lamination
- Web cleaning
- 1250mm (50") unwind





PERFORMANCE



AGILITY



NETWORK



VISION



**AB Graphic Partner in der Schweiz und Österreich**

CHROMOS Group AG  
Niederhaslistrasse 12  
CH-8157 Dielsdorf  
Tel.+41 44 855 50 00  
[www.chromos.ch/printing/weiterverarbeitung](http://www.chromos.ch/printing/weiterverarbeitung)

Manufactured in the UK

